

FONTANA GOLD TRIALO COLOR CHANGING LED SHOWER HEAD WITH ADJUSTABLE BODY JETS



PRIOR TO INSTALLATION

Please read installation instructions below. All plumbing should be installed in accordance with applicable building codes and regulations.

Unpack and inspect the items for any shipping damages. If you find damages, do not install.

All products must be installed by a professional and certified plumber otherwise warranty may be voided.

POSSIBLE TOOLS REQUIRED*



Plumbers Tape



Tape Measure



Level



Adjustable Wrench



Hex Wrench



Thread Sealant



Drill



Pencil or Marker

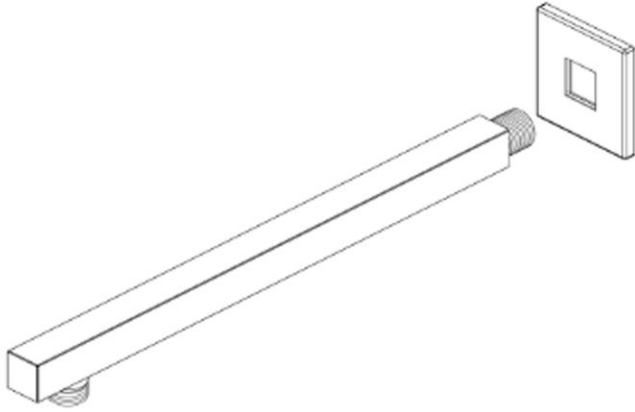


Screwdriver

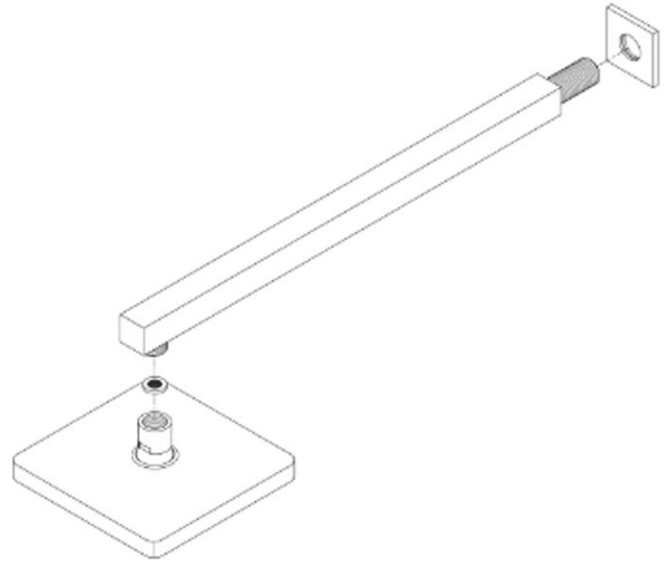
*not included

Shower Head Installation Instructions

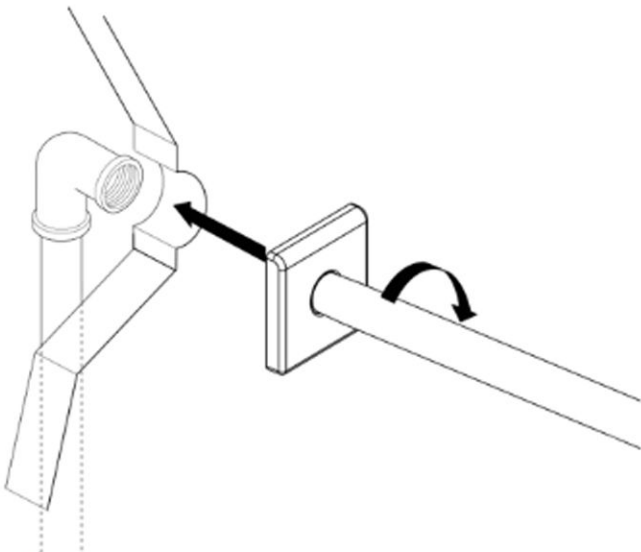
Step 1:



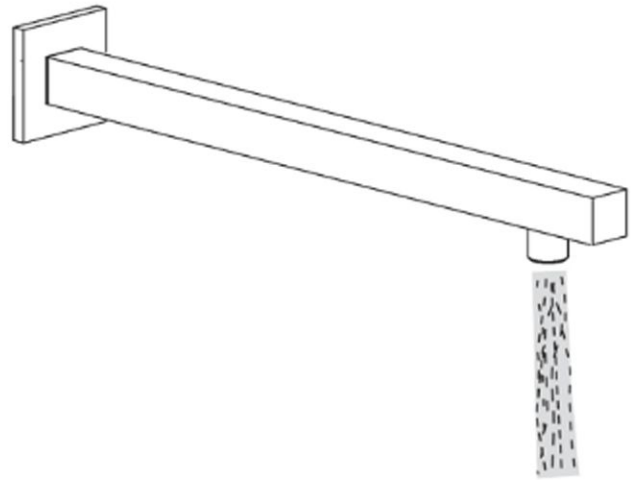
Step 2:



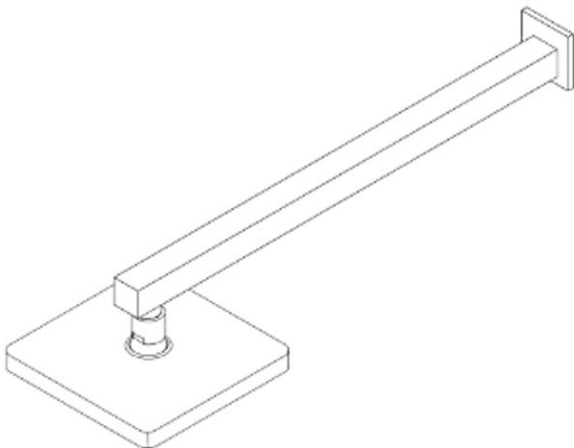
Step 3:



Step 4:



Step 5:



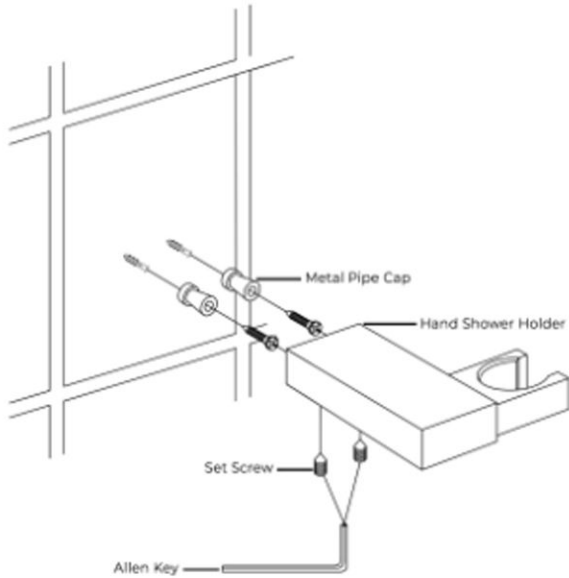
Use your hands counter clockwise to unscrew the old showerhead and removed it.

Take out the showerhead, make sure the shower filter is placed in the connector. Ensure the showerhead full horizontal alignment wall mounted shower arm thread.

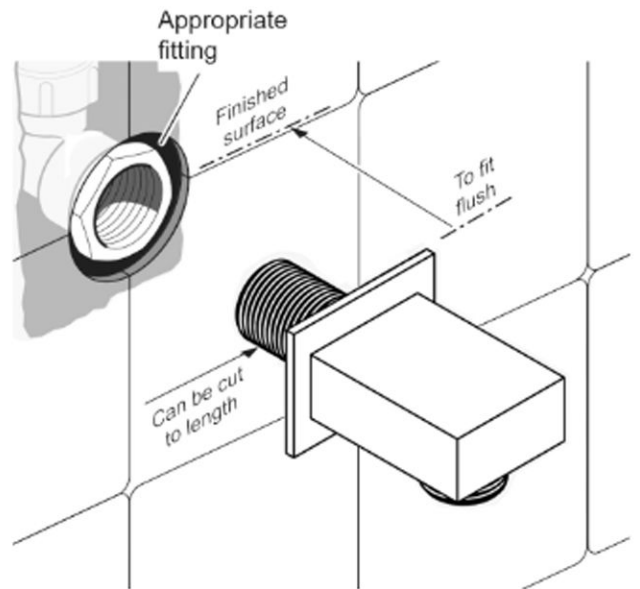
Use your hands clockwise to tighten showerhead.

Hand Shower Installation Instructions

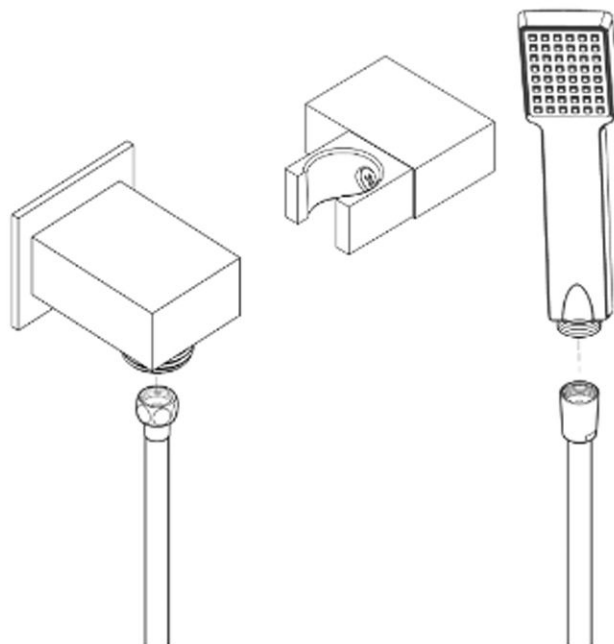
STEP 1:



STEP 2:

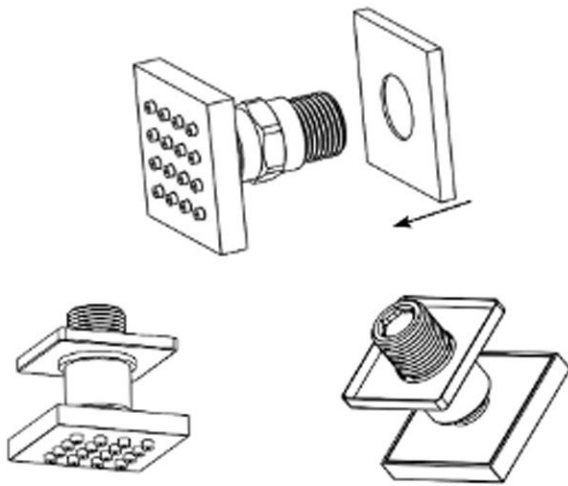


STEP 3:

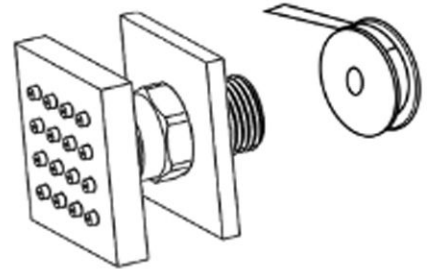


SHOWER BODY JETS INSTALLATION INSTRUCTIONS

Step 1:



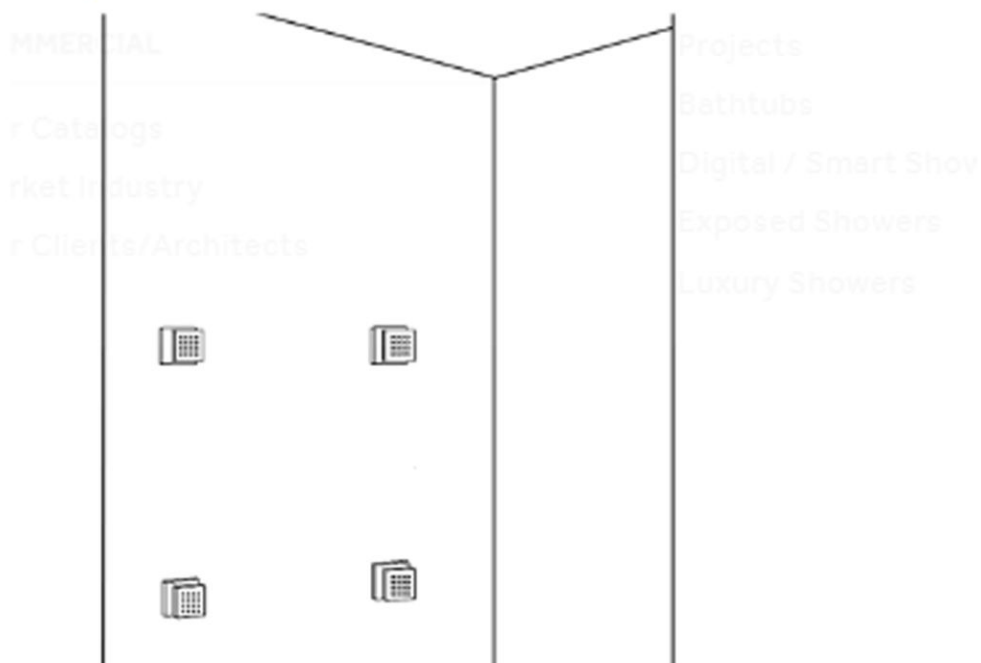
Step 2:



Set the decorative cover on the body jet.

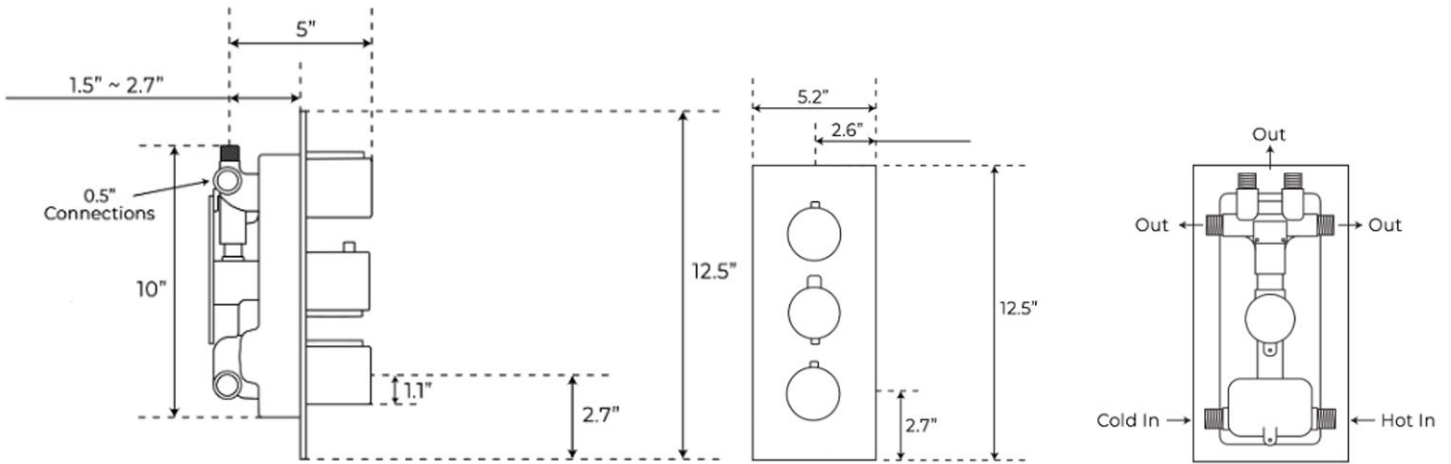
Roll the raw material belt in the thread screws.

Step 3:



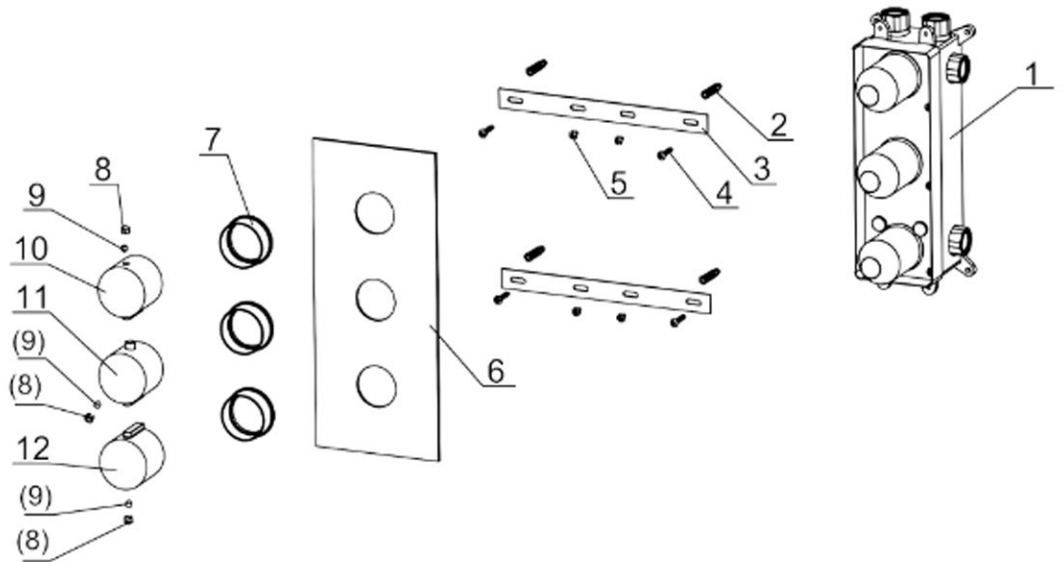
Use a wrench to tighten 6 body jets on the water outlet holes.
Tighten it in a clockwise direction.

Mixer Installations Instructions

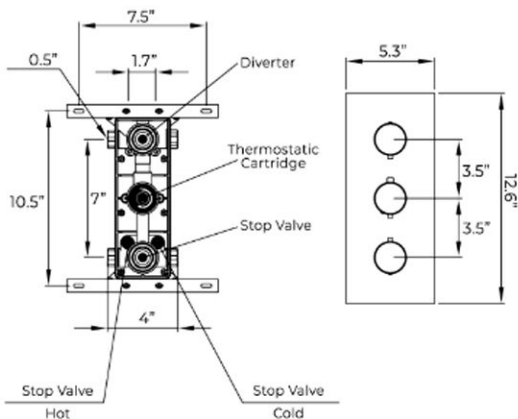


Parts:

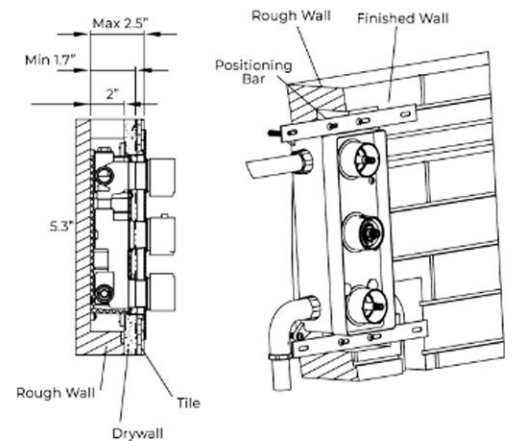
1. Rough-In Body x1
2. Anchor x4
3. Positioning Bar x2
4. Tapping Screw 1 x4
5. Tapping Screw 2 x4
6. Plate x1
7. Cover x3
8. Button x3
9. Screw 1 x3
10. Diverter Handle x1
11. Temperature Handle x1
12. Volume Handle x1



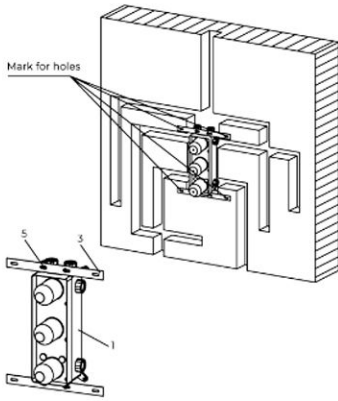
Step 1:



Step 2:

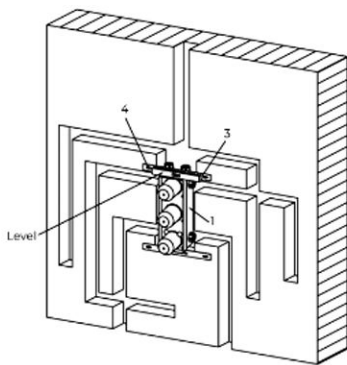


Step 3:



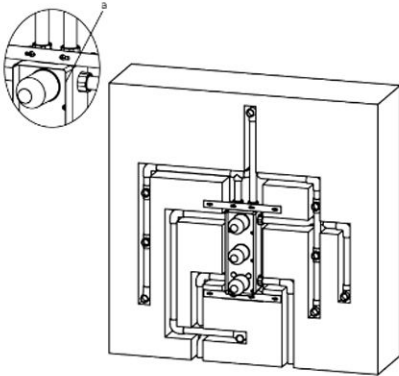
Attach the positioning bar to the rough-in body (4,5) with tapping screws. Mark the location of the mounting holes.

Step 5:



Attach the rough-in body to the wall.

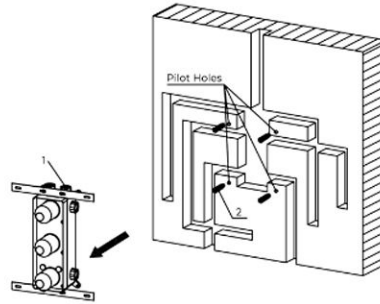
Step 7:



Finish the wall surrounding the shower with a thickness of 1/2"-1-1/2".

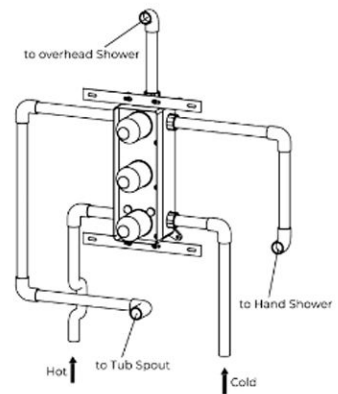
a) Finished wall surface should not exceed the upper edge of the installation box.

Step 4:



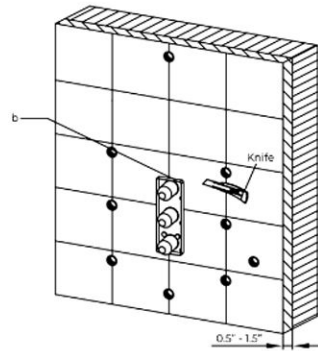
Remove the rough-in body and drill pilot holes at the locations marked in the previous step. Insert anchors.

Step 6:



Connect the rough-in body to the water supply pipes according to the diagram.

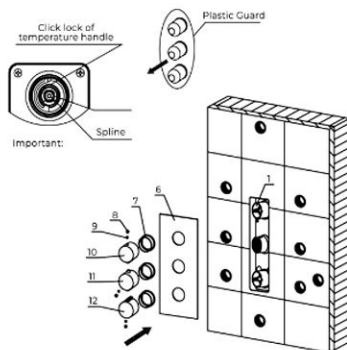
Step 8:



If the tile exceeds the edges of the installation box, trim the tile as necessary to install the trim plate.

b) Trim the tile around the installation box as necessary.

Step 9:



Remove the plastic guard and place the trim plate over the installation box. Install the screws covers, handles and buttons.